

# SPARE PARTS EXPLODED VIEW GAS WALL BOILERS

Model

## NIAGARA C

R8203206-07 - 19/07/2012

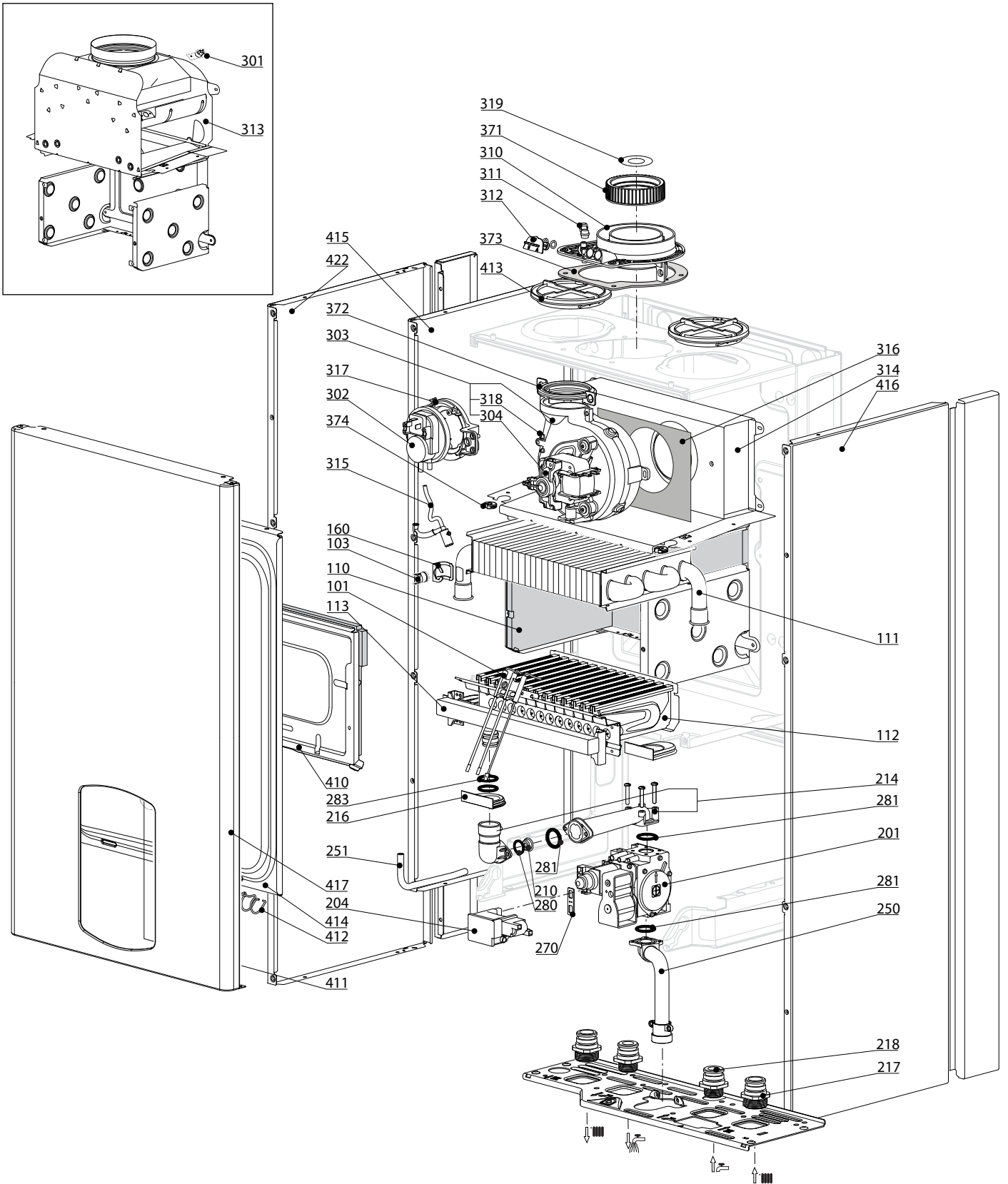
<b>EN</b>	<b>FR</b>	<b>IT</b>	<b>ES</b>	<b>DE</b>
-----------	-----------	-----------	-----------	-----------

1	3650319	NIAGARA C 25 CF BE	12-2008	04-2010
1	3310091	NIAGARA C 25 CF FR BE	03-2010	-
2	3650332	NIAGARA C 24 VMC FR	12-2008	12-2009
2	3310093	NIAGARA C 24 VMC FR	07-2010	-
3	3650331	NIAGARA C 25 FF FR	12-2008	12-2009
3	3310087	NIAGARA C 25 FF FR	05-2010	-
4	3650320	NIAGARA C 30 FF FR-BE	12-2008	12-2011
4	3310103	NIAGARA C 30 FF FR BE	06-2010	-
Col	Reference	Model type	Begin	End

100  
200  
300  
400

NIAGARA C

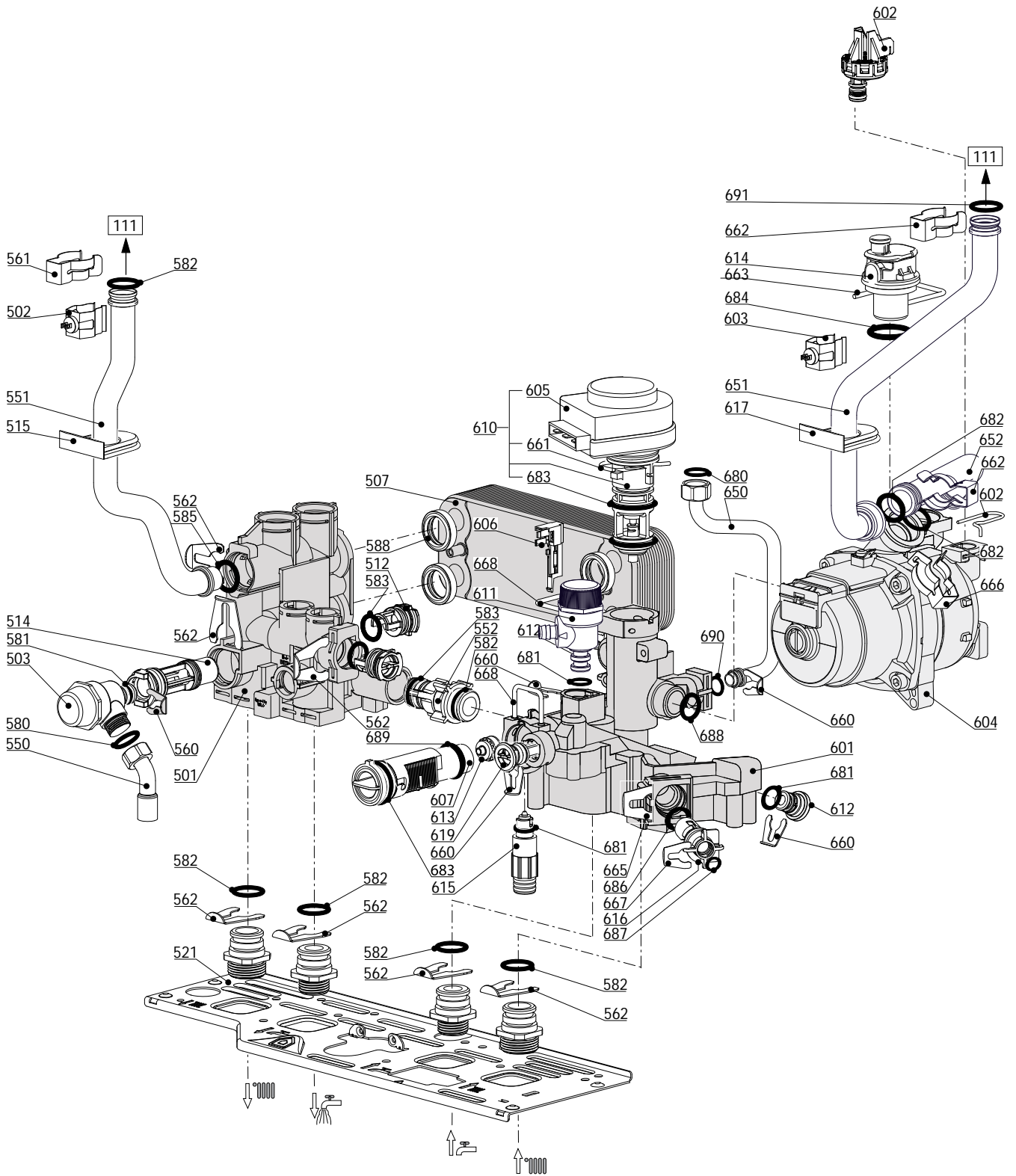
Domestic Gas Boilers



NIAGARA C 25 CF  
 NIAGARA C 24 VMC  
 NIAGARA C 25 FF  
 NIAGARA C 30 FF

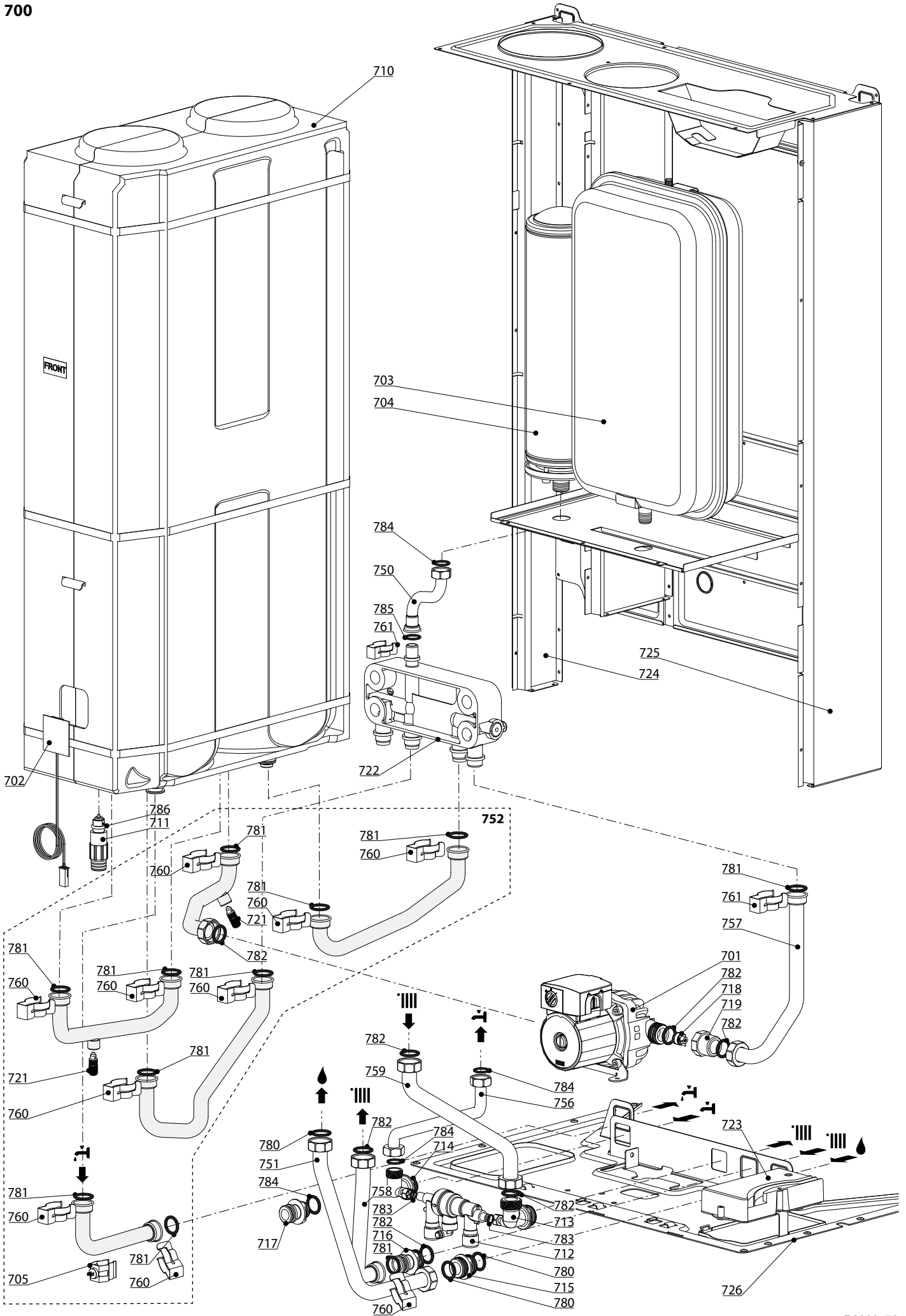
31

Description	Manf. Pt. N	Type																		
			1	2	3	4	5	6	7	8	9	10	11	12	13	14	15	16	17	18
<b>0100 BURNER ASSEMBLY</b>																				
0101 ELECTRODE (IGNITION/DETECTION)	65104549		•	•	•															
0103 THERMOSTAT 102°	65104500		•	•	•															
0110 PANELS (KIT)	65104695		•	•	•															
PANELS (KIT)	65106298				•															
0111 MAIN EXCHANGER	65104246					•														
MAIN EXCHANGER	65104247		•	•																
MAIN EXCHANGER	65106297				•															
0112 BURNER	60001582		•	•																
BURNER 13NP	65104220						•													
BURNER 11NP	65106294						•													
0113 GAS MANIFOLD 13 INJ. D:1.32	65104226	NAT					•													
GAS MANIFOLD 13 INJ. D:1.25	65104302	NAT	•	•																
GAS MANIFOLD 11 INJ. D:1.32	65106302	NAT					•													
0160 CLIP	61010050		•	•	•	•														
<b>0200 GAS SECTION</b>																				
0201 GAS VALVE	65104254		•	•	•	•														
0204 SPARK GENERATOR	65104653		•	•	•	•														
0210 RESTRICTOR D: 6.3	60000018	NAT	•	•																
RESTRICTOR D: 6.4	60000501	NAT				•														
RESTRICTOR D: 7	65105152	NAT					•													
0214 PIPE (GAS VALVE/BURNER)	65104230		•	•	•	•														
0216 GROMMET	60000624		•	•	•	•														
0217 UNION (3/4)	65104326		•	•	•	•														
0218 UNION (1/2)	65104327		•	•	•	•														
0250 GAS TUBE	60000720		•	•	•	•														
0251 EPDM PIPE	65104296					•	•													
0270 GASKET (SPARK GENERATOR)	574279		•	•	•	•														
0280 O-RING D: 14-2.00	60000903	NAT	•	•	•	•														
0281 O-RING 22,22X2,62	65104304		•	•	•	•														
0283 O-RING 17,17X1,78	65104303		•	•	•	•														
<b>0300 FAN ASSEMBLY</b>																				
0301 OVERHEAT THERMOSTAT 49C	61310767				•															
THERMOSTAT 75-65°C	999539		•																	
0302 AIR PRESSURE SWITCH 50 Pa	65104671-01					•														
AIR PRESSURE SWITCH 74 Pa	65104672-01						•													
0303 FAN	65104231						•													
FAN	65104255						•													
0304 HALL SENSOR 28/30/35 FF	65108255							•												
HALL SENSOR 15/24/25 FF	65108301							•												
0310 FLUE (EXHAUST MANIFOLD / HEADER)	65105393						•	•												
0311 AIR INTAKE COVER	573329						•	•												
0312 FLUE INTAKE PLUG	65104295						•	•												
0313 COMBUSTION CHAMBER 24CF	65104218		•	•																
0314 COMBUSTION CHAMBER 24/28 FF	65104219								•											
COMBUSTION CHAMBER 24/28 FF	65106295								•											
0315 CONDENSATE TRAP	65104623								•	•										
0316 PANEL (INSULATION - FAN)	65104305								•	•										
0317 SUPPORT (AIR PRESSURE SWITCH)	65104378								•	•										
0318 VENTURI 28/30FF	65106515									•										
VENTURI 15/24FF	65106516									•										
0319 RESTRICTOR KIT	60001598								•	•										
0371 COLLAR GASKET	65104258								•	•										
0372 FAN GASKET	65104257								•	•										
0373 GASKET	60000317								•	•										
0374 CABLE INLET RUBBER WASHER	60000716		•	•	•	•														
<b>0400 SEALED CASE</b>																				
0410 PANEL (COMBUSTION CHAMBER)	65104240		•	•		•														
PANEL (COMBUSTION CHAMBER)	65106296					•														
0411 SIGHT GLASS	65104232						•	•												
0412 SPRING FRONT PANEL (KIT)	65104298						•	•												
0413 AIR RETURN COVER	65104249						•	•												
0414 PANEL (FRONT - SEALED CHAMBER)	65105678						•													
PANEL (FRONT - SEALED CHAMBER)	65105679						•	•												
0415 CASE PANEL (L.H. SIDE)	65105676		•	•	•	•														
0416 RIGHT SIDE PANEL	60001245		•	•	•	•														
0417 CASE PANEL (FRONT)	60001246		•	•	•	•														
0422 HAND PANEL	60001244		•	•	•	•														





Description	Manf. Pt. N	Type																		
			1	2	3	4	5	6	7	8	9	10	11	12	13	14	15	16	17	18
<b>0500 FLOW GROUP</b>																				
0501 FLOW GROUP	60000844		•	•	•	•														
0502 TEMPERATURE PROBE + CLIP	990686		•	•	•	•														
0503 PRESSURE RELIEF VALVE 3 BAR	61312668		•	•	•	•														
0507 WATER / WATER HEAT EXCHANGER 16	65104333		•	•	•	•														
0512 PLUG	65104445		•	•	•	•														
0514 BY-PASS	65104336		•	•	•	•														
0515 GROMMET	60000808		•	•	•	•														
0521 HYDRAULIC GROUP SUPPORT	60001375		•	•	•	•														
0550 PIPE (SAFETY VALVE)	65104447		•	•	•	•														
0551 HEATING FLOW TUBE	60000722					•														
HEATING FLOW TUBE	60000859		•	•	•															
0552 BY-PASS PIPE	65104340		•	•	•	•														
0560 CLIP D:10	65104260		•	•	•	•														
0561 CLIP	61307589		•	•	•	•														
0562 CLIP D=18	65104259		•	•	•	•														
0580 SHEET GASKET D: 13.9-10.4-1.5	60061853-02		•	•	•	•														
0581 O - RING (15.88X2.62)	65104337		•	•	•	•														
0582 O-RING D: 17.86-2.62	61308091		•	•	•	•														
0583 O - RING (15.54X2.62)	65104325		•	•	•	•														
0585 O-RING 3,53X17,04	65104262		•	•	•	•														
0588 EXCHANGER GASKET	65104334		•	•	•	•														
<b>0600 RETURN GROUP</b>																				
0601 RETURN GROUP	60000874		•	•	•	•														
0602 PROPORTIONAL PRESSURE SWITCH	65104321		•	•	•	•														
0603 TEMPERATURE PROBE + CLIP	990686		•	•	•	•														
0604 PUMP 6M 2V	60000591		•	•	•	•														
0605 MOTOR - THREE-WAY VALVE	61302483-01		•	•	•	•														
0606 SENSOR (REED)	65104323		•	•	•	•														
0607 FLOW METER	60000870		•	•	•	•														
0610 MOTOR + SPRING 3 WAY VALVE KIT	60001583		•	•	•	•														
0611 PRESSURE RELIEF VALVE 7 BARS	60000171		•	•	•	•														
0612 PLUG	65104377		•	•	•	•														
0613 RIDUCTORS (KIT)	65104318		•	•	•	•														
0614 AUTO AIR VENT WITH O-RING	65104703		•	•	•	•														
0615 KIT DRAIN SCREW	60001385		•	•	•	•														
0616 WATER FILTER	60001372		•	•	•	•														
0617 GROMMET	60000807		•	•	•	•														
0619 PLUG	65104377		•	•	•	•														
0650 PIPE (EXPANSION VESSEL)	60001247		•	•	•	•														
0651 HEATING RETURN TUBE	60000857		•	•	•	•														
0660 CLIP D:10	65104260		•	•	•	•														
0661 CLIP	65104332		•	•	•	•														
0662 CLIP	61307589		•	•	•	•														
0663 U-CLIP	65104704		•	•	•	•														
0664 CLIP	65104322		•	•	•	•														
0665 CLIP	65104331		•	•	•	•														
0666 CLIP	60000309		•	•	•	•														
0667 CLIP	65100680		•	•	•	•														
0668 CLIP	65104316		•	•	•	•														
0680 GASKET 3/8	573521		•	•	•	•														
0681 O - RING (9.19X2.62)	65104313		•	•	•	•														
0682 O-RING 3,53X17,04	65104262		•	•	•	•														
0683 O - RING (23.47X2.62)	65104315		•	•	•	•														
0684 O-RING	65104705		•	•	•	•														
0686 O - RING (15.54X2.62)	65104325		•	•	•	•														
0687 O RING D: 5.7-1.9	61009834-10		•	•	•	•														
0688 O - RING (21.89X2.62)	65104320		•	•	•	•														
0689 O-RING 17,17X1,78	65104303		•	•	•	•														
0690 O-RING D: 8.9-2.7	61009834-14		•	•	•	•														
0691 O-RING D: 17.86-2.62	61308091		•	•	•	•														



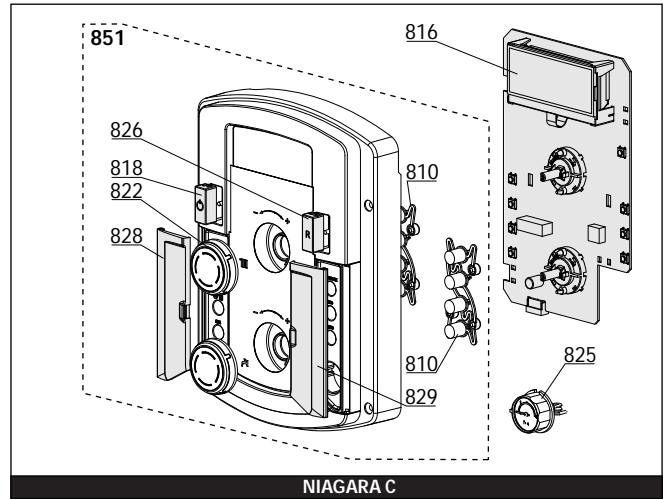
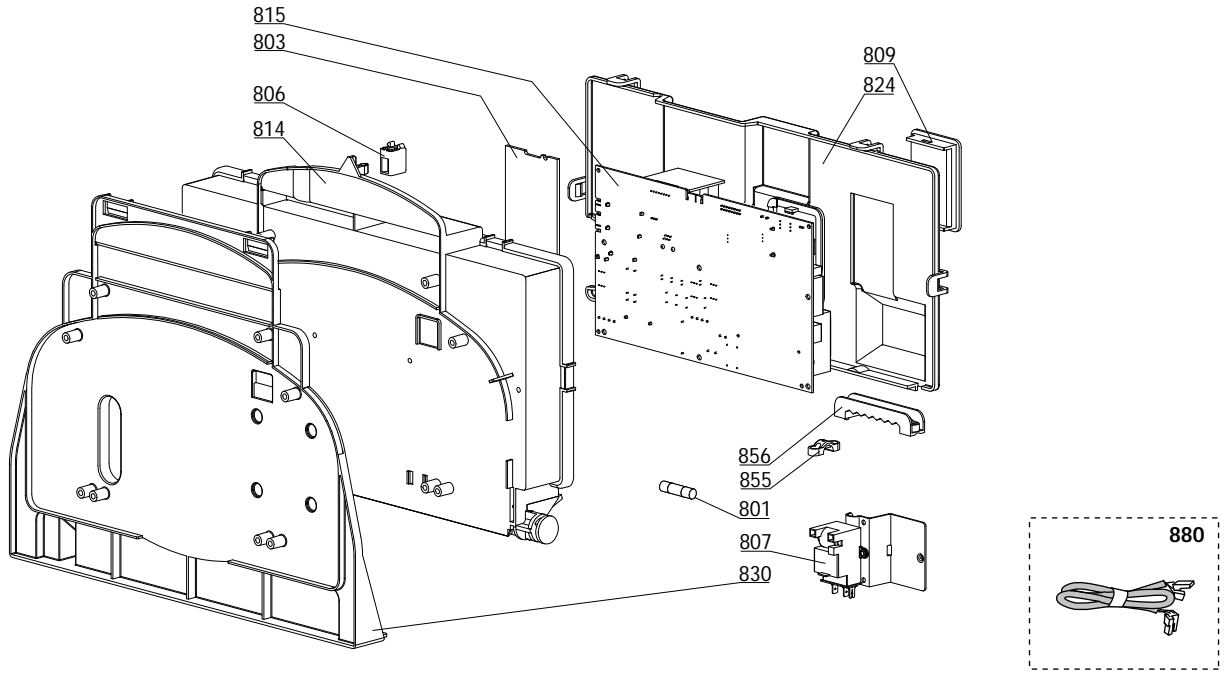
NIAGARA C 25 CF  
 NIAGARA C 24 VMC  
 NIAGARA C 25 FF  
 NIAGARA C 30 FF

31

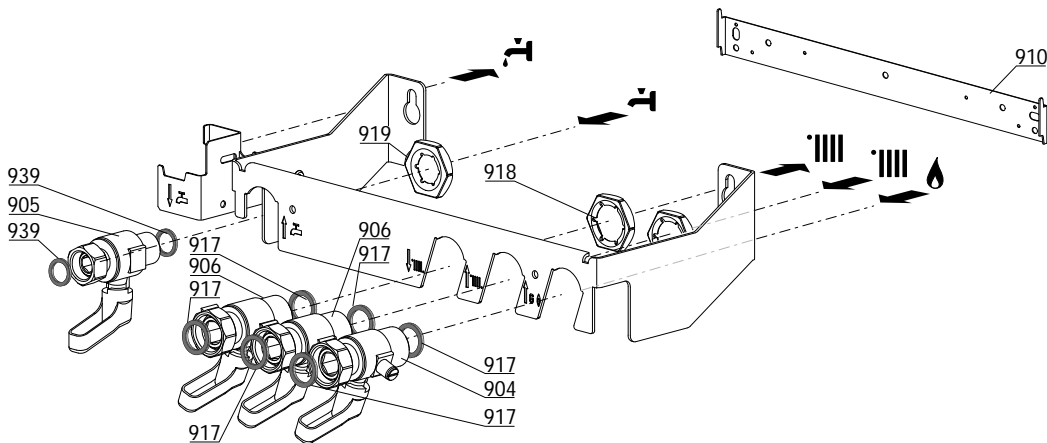
☉⇒	Description	Manf. Pt. N	Type																		
				1	2	3	4	5	6	7	8	9	10	11	12	13	14	15	16	17	18
0700	HOT WATER TANK																				
0701	PUMP DHW	60001331		●	●	●	●														
0702	NTC PROBE	60000822		●	●	●	●														
0703	EXPANSION VESSEL 12L	60001243		●	●	●	●														
0704	EXPANSION VESSEL 2L	61316921		●	●	●	●														
0705	TEMPERATURE PROBE + CLIP	990686		●	●	●	●														
0710	CYLINDER 40L	60001249		●	●	●	●														
0711	KIT DRAIN SCREW	60001385		●	●	●	●														
0712	DISCONNECTOR	60000263		●	●	●	●														
0713	CONNECTION M/M 3/4	60001325		●	●	●	●														
0714	CONNECTION M/M 1/2	60001326		●	●	●	●														
0715	GAS CONNECTION	60001327		●	●	●	●														
0716	HEATING RETURN CONNECTION	60001328		●	●	●	●														
0717	HOT WATER CONNECTION	60001329		●	●	●	●														
0718	NON-RETURN VALVE	60001330		●	●	●	●														
0719	CONNECTION	60001333		●	●	●	●														
0721	DRAIN SCREW ASSY	60081904		●	●	●	●														
0722	INTERFACE SYSTEM	60001342		●	●	●	●														
0723	CONNECTION BOX	60001252		●	●	●	●														
0724	LONGERON 65mm	60001383		●	●	●	●														
0725	LONGERON 130mm	60001384		●	●	●	●														
0726	HYDRAULIC GROUP SUPPORT	60001599		●	●	●	●														
0750	PIPE (EXPANSION VESSEL)	60001248		●	●	●	●														
0751	GAS TUBE	60001316		●	●	●	●														
	GAS TUBE	60001335					●														
0752	KIT FLEXIBLE	60001948		●	●	●	●														
0756	INLET PIPE	60001324		●	●	●	●														
0757	TUBE - PUMP DHW	60001321		●	●	●	●														
0758	HEATING TUBE	60001322		●	●	●	●														
0759	HEATING TUBE	60001320		●	●	●	●														
0760	CLIP	61307589		●	●	●	●														
0761	CLIP	65105109		●	●	●	●														
0780	SHEET GASKET D: 24-18.2-1.5	60022835-01		●	●	●	●														
0781	O-RING 3,53X17,04	65104262		●	●	●	●														
0782	SHEET GASKET D: 24-18.2-1.5	60061855-01		●	●	●	●														
0783	SHEET GASKET D: 8.5-4.1-1.5	60001363		●	●	●	●														
0784	WASHER D: 18.4-12.2-1.5	60061855-14		●	●	●	●														
0785	O - RING (13X2)	65105108		●	●	●	●														
0786	O - RING (9.19X2.62)	65104313		●	●	●	●														

NIAGARA C

Domestic Gas Boilers



900



5000

**5001**  
 Transf. gaz > B/P  
 Conv. gas > LPG  
 Trasn. gas > GPL  
 Transf. gas > B/P  
 Umrustsatz > B/P

**5002**  
 Transf. gaz > Nat  
 Conv. gas > Nat  
 Trasn. gas > Met  
 Transf. gas > Met  
 Umrustsatz > Nat

**5020**  
 Options  
 Accessories  
 Opzioni  
 Accessorio  
 Option



NIAGARA C-25 CF  
 NIAGARA C-24 VMC  
 NIAGARA C-25 FF  
 NIAGARA C-30 FF

31

☉⇒	Description	Manf. Pt. N	Type																		
				1	2	3	4	5	6	7	8	9	10	11	12	13	14	15	16	17	18
<b>0800</b>	<b>ELECTRICAL BOX</b>																				
0801	FUSE 250V 2A - TEMPORIZED	61003456		•	•	•	•														
0802	MODULE KIT (EEPROM)	65105148		•	•	•	•														
0803	P.C.B (CLIP-IN) E-BUS	65109108		•	•	•	•														
0806	PUSH	65104228		•	•	•	•														
0807	IGNITER	61002105-20		•	•	•	•														
0809	INSPECTION COVER	65104294		•	•	•	•														
0810	PUSH BUTTON	60000978		•	•	•	•														
0814	CONTROL PANEL	60001362		•	•	•	•														
0815	P.C.B. (MAIN)	65109313-02		•	•	•	•														
0816	PRINTED CIRCUIT BOARD (DISPLAY)	60000760-01		•	•	•	•														
0818	PUSH BUTTON ON/OFF	60000809		•	•	•	•														
0822	KNOB	60000762		•	•	•	•														
0824	CONTROL PANEL COVER (REAR)	65104293		•	•	•	•														
0825	PRESSURE GAUGE	60000725		•	•	•	•														
0826	BUTTON (RESET)	60000806		•	•	•	•														
0828	LEFT HAND DOOR	60000761		•	•	•	•														
0829	RIGHT HAND DOOR	60000759		•	•	•	•														
0830	BASE - BOX	60001315		•	•	•	•														
0851	FRONT CONTROL PANEL COMPLETE	60000805		•	•	•	•														
0855	CABLE CLAMP	571562		•	•	•	•														
0856	CABLE CLAMP	65103377		•	•	•	•														
0880	EARTH WIRE	65104286		•	•	•	•														
	DISPLAY WIRING	60001250	/ CN02	•	•	•	•														
	NTC - PRES. SENSOR - GAS VALVE CABLE	60001352	/ CN04	•	•	•	•														
	IONIZATION ELECTRODE CABLE	65104518	/ CN05	•	•																
	SHUNT CABLE	60000839	/ CN07	•																	
	TACHOMETER FAN CABLE	65104709	/ CN07			•	•														
	THREE WAY VALVE CABLE	65104523	/ CN09	•	•	•	•														
	PUMP 2V CABLE 5M	65104520	/ CN10	•	•	•	•														
	FAN CABLE	65107270	/ CN10	•	•	•	•														
	CLIP-IN E-BUS WIRING	65105169	/ CN11	•	•	•	•														
	PUMP 1V CABLE	65105081	/ CN12	•	•	•	•														
	FLOW METER CABLE	60000813	/ CN14	•	•	•	•														
	FEEDER 240V	60001146	/ CN20	•	•	•	•														
	NTC - OVERHEAT THER. - PRES SWITCH CABLE	60000814	/ CN22			•	•														
	NTC PROBE - OVERHEAT THERMOSTAT CABLE	60000838	/ CN22		•																
	NTC PROBE - OVERHEAT THERMOSTAT CABLE	65104708	/ CN22	•																	
	ROOM THERMOSTAT CABLE	60001253	/ CN25	•	•	•	•														
<b>0900</b>	<b>JIG PLATE &amp; PIPE FITTING</b>																				
0904	GAS SERVICE TAP	61313366		•	•	•	•														
0905	WATER TAP	61313368		•	•	•	•														
0906	WATER FLOW & RETURN SERVI. TAP	61313367		•	•	•	•														
0910	WALL HOOK	60001251		•	•	•	•														
0917	SHEET GASKET D: 24-17-1.5	60061855-19		•	•	•	•														
0918	LOCK NUT	60031140		•	•	•	•														
0919	CONTRODADO H 1/2	60031139		•	•	•	•														
0939	WASHER D: 18.4-12.2-1.5	60061855-14		•	•	•	•														
<b>5000</b>	<b>ACCESSORIES</b>																				
5001	BURNER JET FULL KIT (LPG)	65104582					•														
	BURNER JET FULL KIT (LPG)	65106690		•		•															
5002	BURNER JET FULL KIT (NG) FR	65104585					•														
	BURNER JET FULL KIT (NG) FR	65106692		•		•															

## LIST OF THE ABBREVIATIONS

HW .....	: Hot water.
CW .....	: Cold water.
C .....	: Ceramic resistance (normal heating).
Ca .....	: Ceramic resistance (accelerated heating)
TP .....	: Immersion heater.
1F .....	: With fittings.
2F .....	: Without fittings.
3F .....	: With fittings and another outlet connection.
AMI .....	: With mixing valve.
SMI .....	: Without mixing valve.
PUISS .....	: Power of th appliance.
PN .....	: Appliance with normal pression.
LP .....	: Appliance with low pression.
PV .....	: Appliance with variable power.
PF .....	: Appliance with fixed power.

## IDENTIFICATION PLATE

### SERIAL NUMBER

<b>10 Characters :</b>	04 05 125 011	Sequential number
		Manufacturing day
		Year of manufacture
<b>11 Characters :</b>	1 95 065004 - 31	Technical number of the appliance
Month of manufacture : from 1 to 9 → Jan. to Sep., O → Oct., N → Nov., D → Dec.		Sequential number
		Year of manufacture
<b>19 Characters :</b>	08 05 0013199 900640031	Product reference
Year of manufacture		Sequential number
Month of manufacture		
<b>20 Characters :</b>	3675007 XX 2 07 070 00315	Sequential number
Product reference		Manufacturing day
Millenium of manufacture		Year of manufacture
<b>21 Characters :</b>	3675007 XX 07 070 0000315	Sequential number
Product reference		Manufacturing day
Year of manufacture		